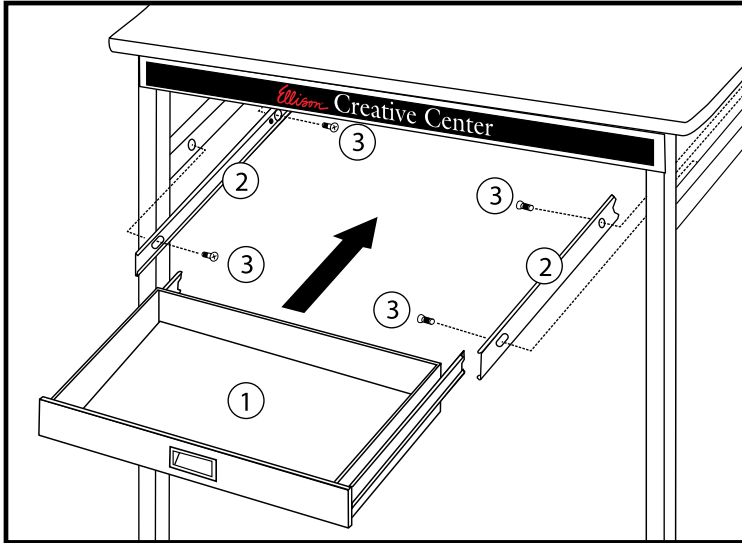


Ellison®/Sizzix® Multi-Purpose Work Station Drawer



Parts included:

| Item: | Qty: |
|----------------------------------|------|
| (1) Drawer | 1 |
| (2) Outer Drawer Slide Assembly | 2 |
| (3) .7 x 3 x 5mm Flat-Head Screw | 4 |

Tools Required:

2.5mm Hex-Head Allen wrench (provided)

1. Align the holes in the outer Slide Assembly (Item 2) with those on the inside of the Multi-Purpose Work Station legs and attach with flat-head screws (Item 3).
2. Slide Drawer (Item 1) into the rails on the Work Station legs.

27211 Multi-Purpose Work Station w/Drawer