

Ellison® Multi-Purpose Work Station Die Storage Rack

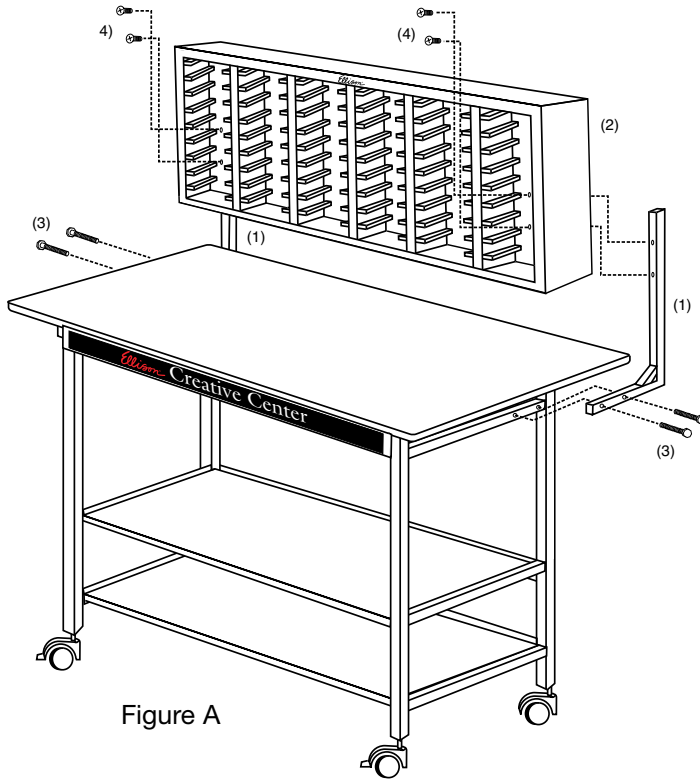


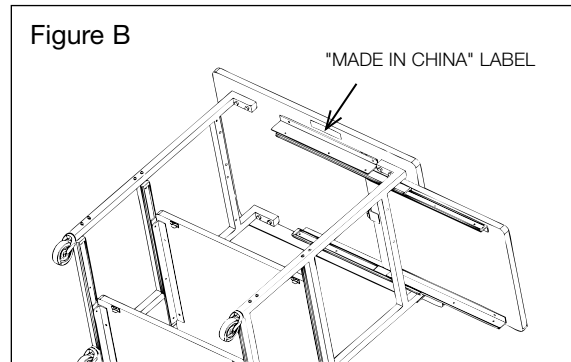
Figure A

Parts included:

Item:	Qty:
(1) Brace	2
(2) Rack	1
(3) Hex Bolts (2 sets)	4
(4) Flat Head Screws	4

Tools Required:

Wrench (Included)
 Philips Screwdriver (Not Included)



1. Remove all contents from box and place packing foam onto Ellison Multi-Purpose Work Station.
2. Place packing foam (4 pieces) in a single stack to be used as a support while aligning Rack holes.
3. Two sets of Screws for attaching Braces to Work Station are supplied (Item 3). To determine which set to use, check for a "Made in China" sticker on the underside of the Top Shelf (Figure B). If there is a "Made in China" sticker, use Metric Screws labeled "A." If there is NO sticker, use Standard Screws labeled "B."
4. Connect Braces (Item 1) to Ellison Multi-Purpose Work Station with Hex Bolts A or B (Item 3) and wrench as shown. Do not completely tighten Screws until Rack is attached.
5. Place Rack (Item 2) onto foam stack with Ellison label at top.
6. Attach Rack (Item 2) to Brace (Item 1) with Flat Head Screws (item 4). Finger tighten all 4 Screws, then tighten with screwdriver. Remove foam once Rack is secure.
7. Finish tightening Screws on Braces. Entire Rack assembly should now be secure.

11391 60 Slot Work Station Die Storage Rack